

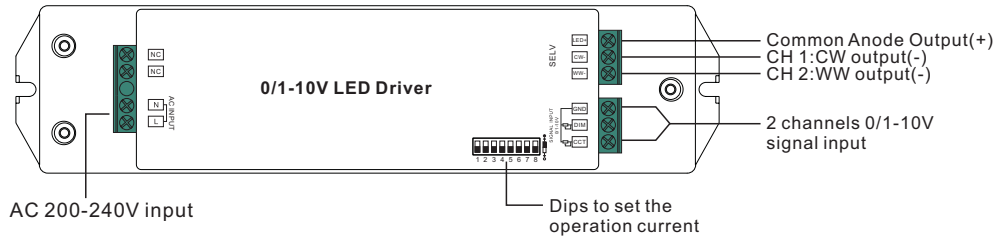
# 50W 0/1-10V 2 CH LED Driver(constant current)

09.0750W2.04116



**Important:** Read All Instructions Prior to Installation

## Function introduction



## Product Data

Output	Selectable Current	250mA	300mA	350mA	400mA	450mA	500mA	600mA	700mA
	DC Voltage Range	8-48V	8-48V	8-48V	8-48V	8-48V	8-48V	8-48V	8-48V
	Selectable Current	800mA	900mA	1000mA	1100mA	1200mA	1300mA	1400mA	1500mA
	DC Voltage Range	8-48V	8-48V	8-48V	8-46V	8-41V	8-38V	8-35V	8-33V
	Rated Power	50W max.							
Input	Voltage Range	200-240V AC							
	Frequency	50/60Hz							
	Power Factor (Typ.)	> 0.9							
	Efficiency (Typ.)	87% @ 230VAC							
	Input Current (Typ.)	0.27A @ 230VAC							
	Inrush Current (Typ.)	COLD START Max. 2A at 230VAC							
Protection	Short Circuit	Yes, auto recovery after fault removed							
	Over Voltage	Yes, auto recovery after fault removed							
	Over Temperature	Yes, auto recovery after fault removed							
Environment	Working Temp.	-20°C ~ +45°C							
	Max. Case Temp.	85°C							
	Working Humidity	10% ~ 95% RH non-condensing							
	Storage Temp. & Humidity	-40°C ~ +80°C, 10% ~ 95% RH							

Safety&EMC	Safety Standards	ENEC EN61347-1, EN61347-2-13 approved
	Withstand Voltage	I/P-O/P: 3.75KVAC
	EMC Emission	EN55015, EN61000-3-2, EN61000-3-3
	EMC Immunity	EN61547, EN61000-4-2,3,4,5,6,8,11, surge immunity Line-Line 1KV
Others	MTBF	193.6K hrs min. @ 230VAC at full load and 25°C ambient temperature
	Dimension	210*50*32mm (L*W*H)

## Dips to set the operation current



	1	2	3	4	5	6	7	8
250mA	○	○	○	○	●	●	●	●
300mA	○	○	○	○	○	○	○	○
350mA	○	○	○	○	○	○	○	○
400mA	○	○	○	○	○	○	○	○
450mA	○	○	○	○	○	○	○	○
500mA	○	○	○	○	○	○	○	○
600mA	○	○	○	○	○	○	○	○
700mA	○	○	○	○	○	○	○	○

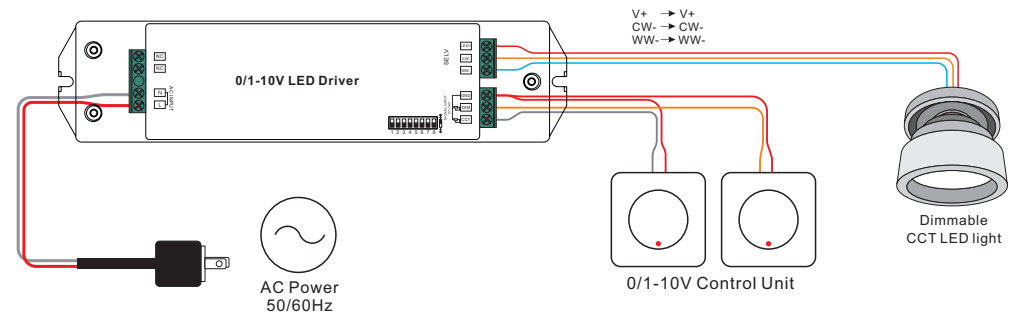
	1	2	3	4	5	6	7	8
800mA	○	○	○	○	○	○	○	○
900mA	○	○	○	○	○	○	○	○
1000mA	○	○	○	○	○	○	○	○
1100mA	○	○	○	○	○	○	○	○
1200mA	○	○	○	○	○	○	○	○
1300mA	○	○	○	○	○	○	○	○
1400mA	○	○	○	○	○	○	○	○
1500mA	○	○	○	○	○	○	○	○

- Dimmable LED driver
- Max. output power 50W total
- 2 channels 250-1500mA constant current output
- Dips to set the operation current
- Class II power supply, full isolated plastic case
- High power factor and efficiency
- To switch and dim single color or CCT color LED lighting
- Built-in 0/1-10V interface, 2 channels 0/1-10V signal input, 1 for brightness control, 1 for CCT control
- Compatible with universal 0/1-10V signal
- IP20 rating
- Suitable for indoor LED lighting applications
- 5 years warranty

## Safety & Warnings

- DO NOT install with power applied to device.
- DO NOT set the operation current with power applied
- DO NOT expose the device to moisture.

## Wiring Diagram



**Product Dimension**

